

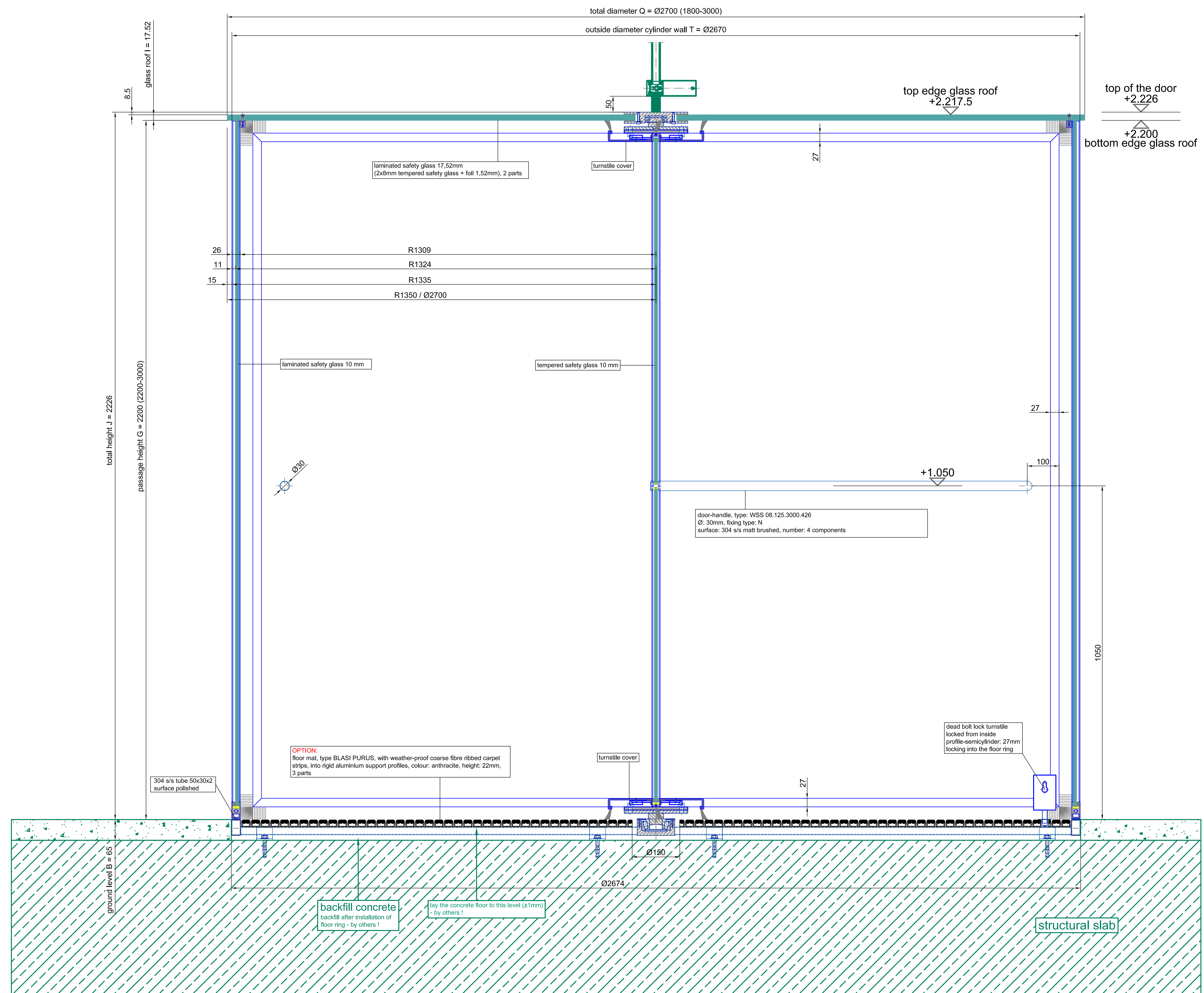
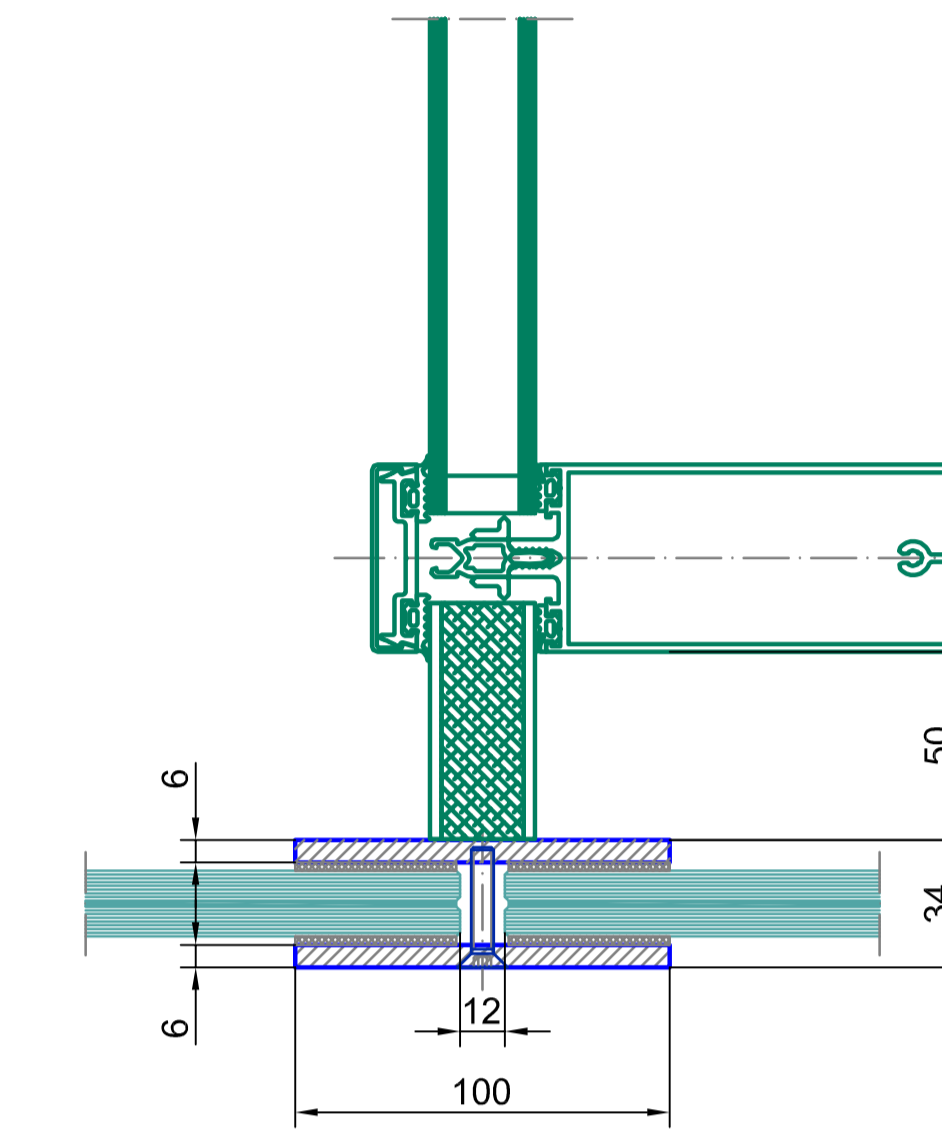
vertical section

outside

inside

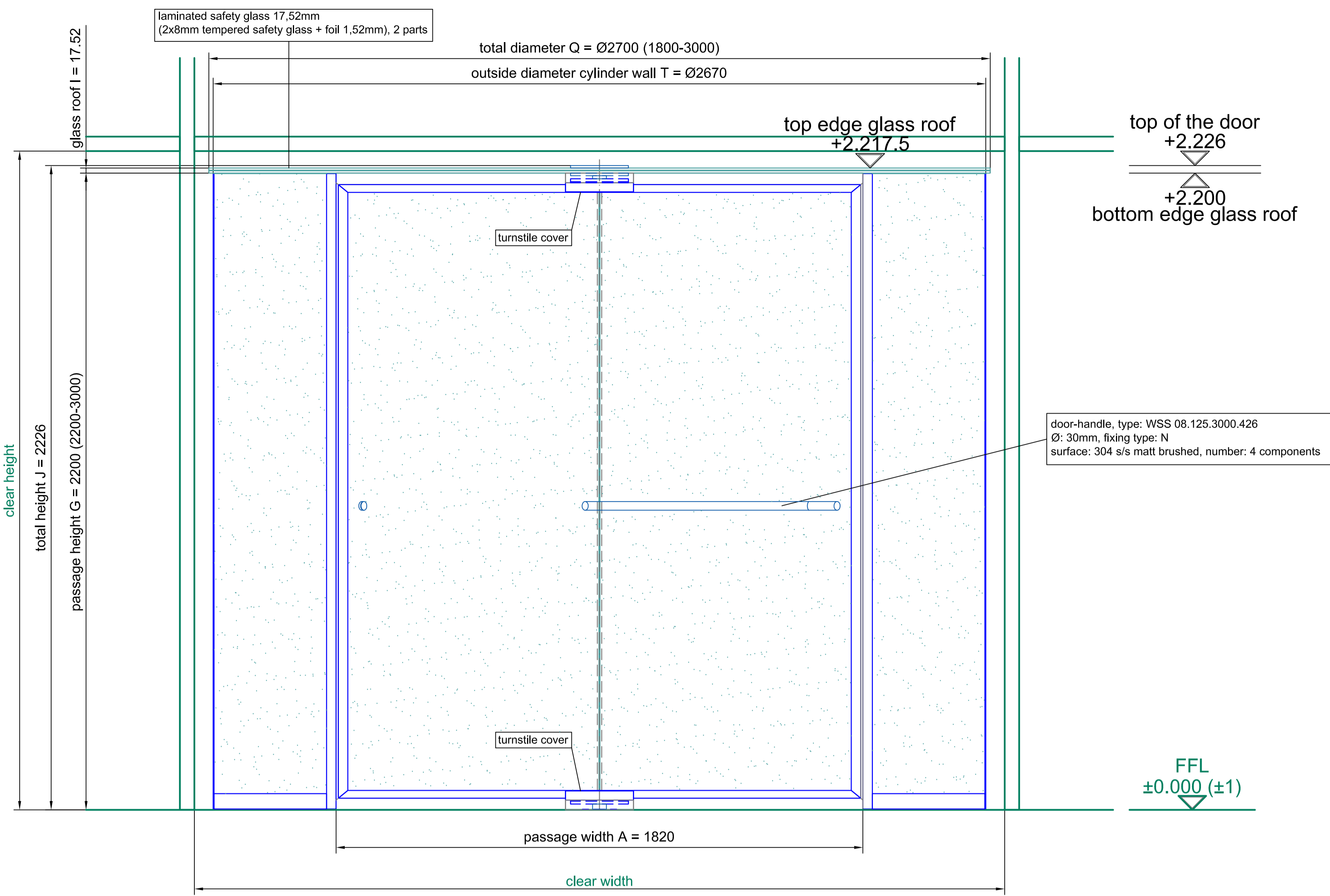
vertical section - beside middle bearing

A0 - M 1:2

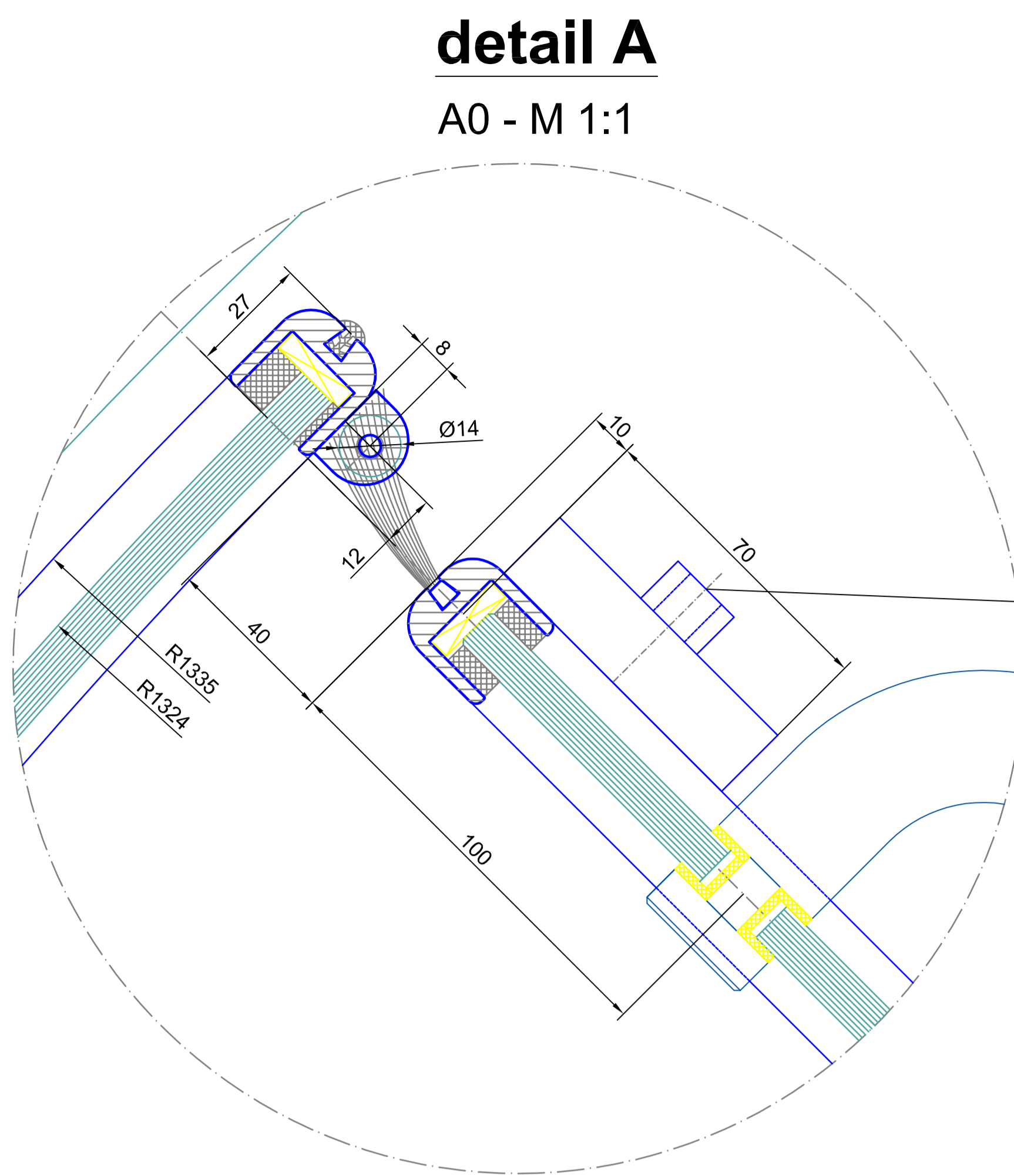


FFL
±0.000 (±1)
-0.065 (±1)
SSL

Surface:	All visible screws 304 s/s (DIN 7991)	All green marked components must be executed by others!!!
Door glass:	tempered safety glass 10 mm	laminated safety glass 10 mm
Frame:		
Scale:	A0 = M 1:5	Coordination No.:
Project:	K41-M-27 Vitro	Date:
Project:	SAMPLE DRAWING ONLY	Notes:
Checked:	Arranged:	Page:
		01
		02

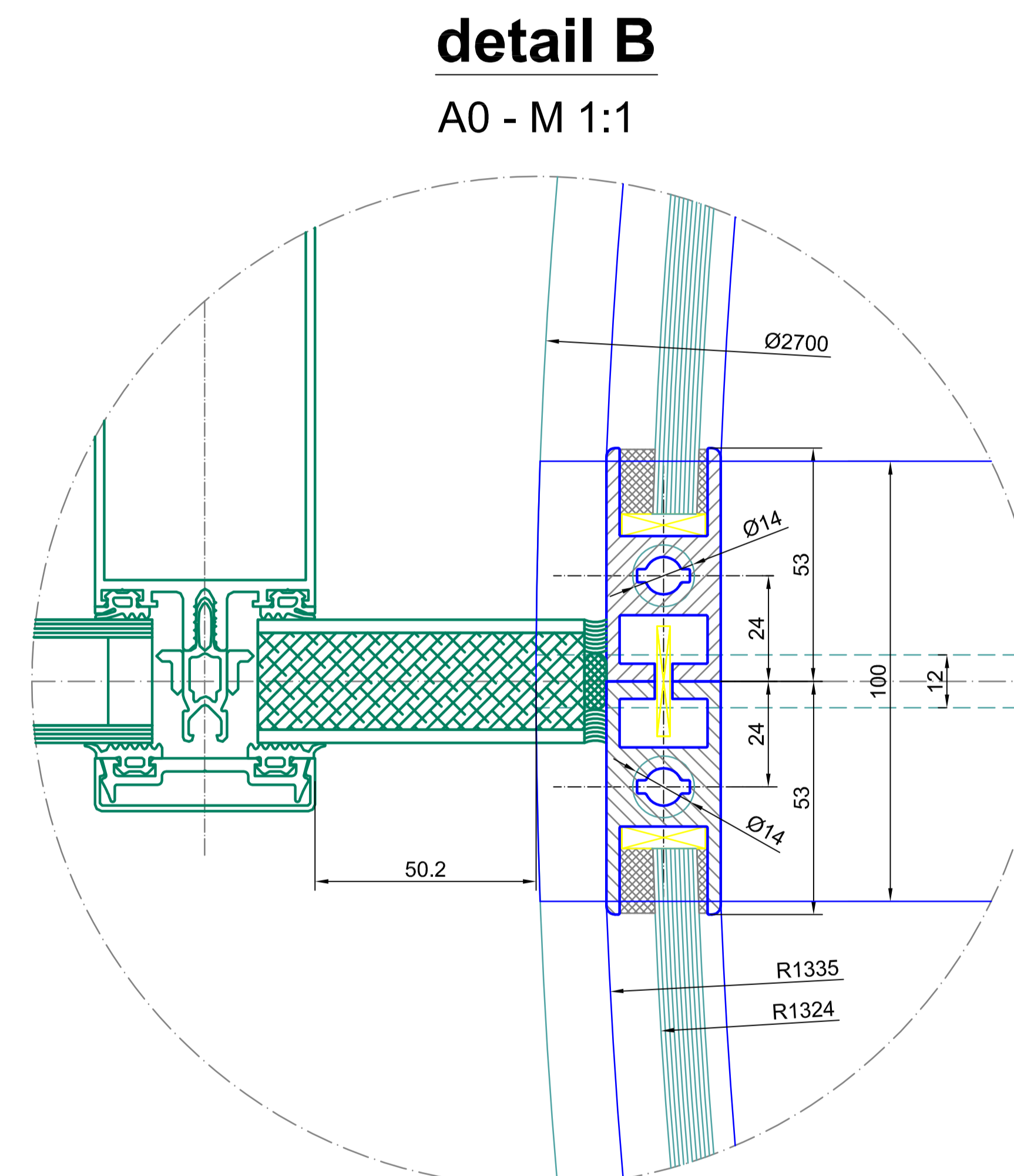


front elevation - outside



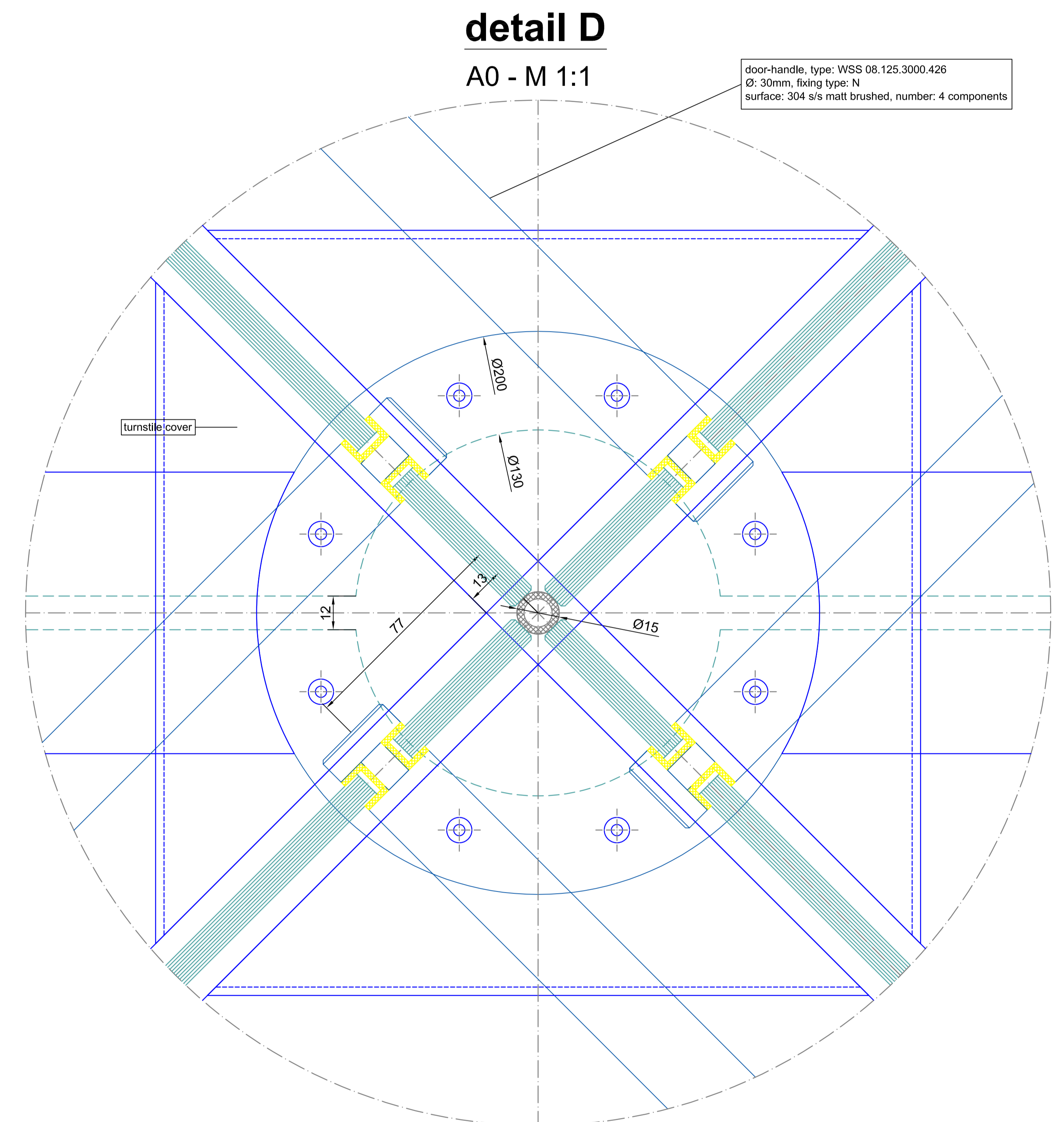
detail A

A0 - M 1:1



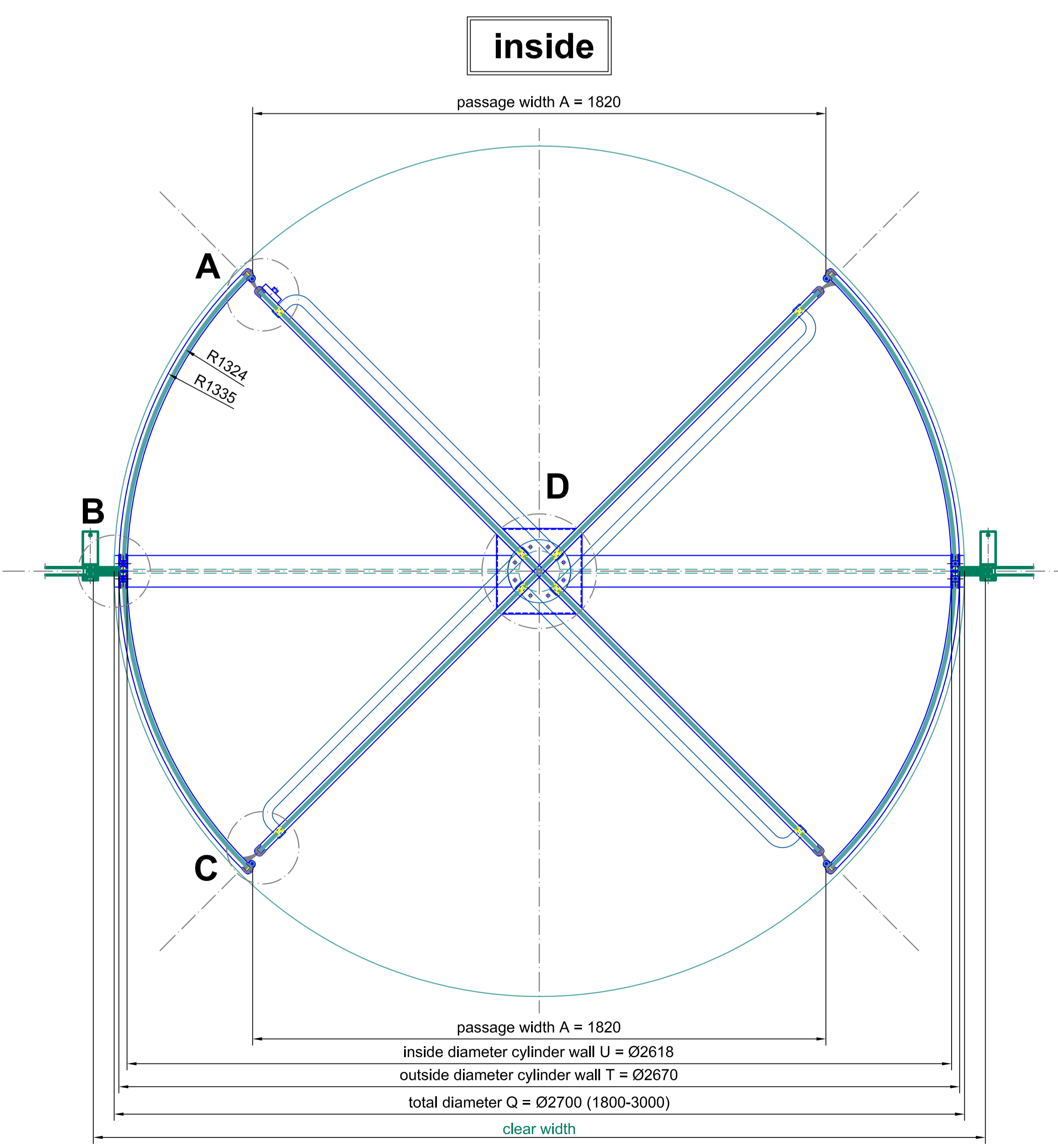
detail B

A0 - M 1:1



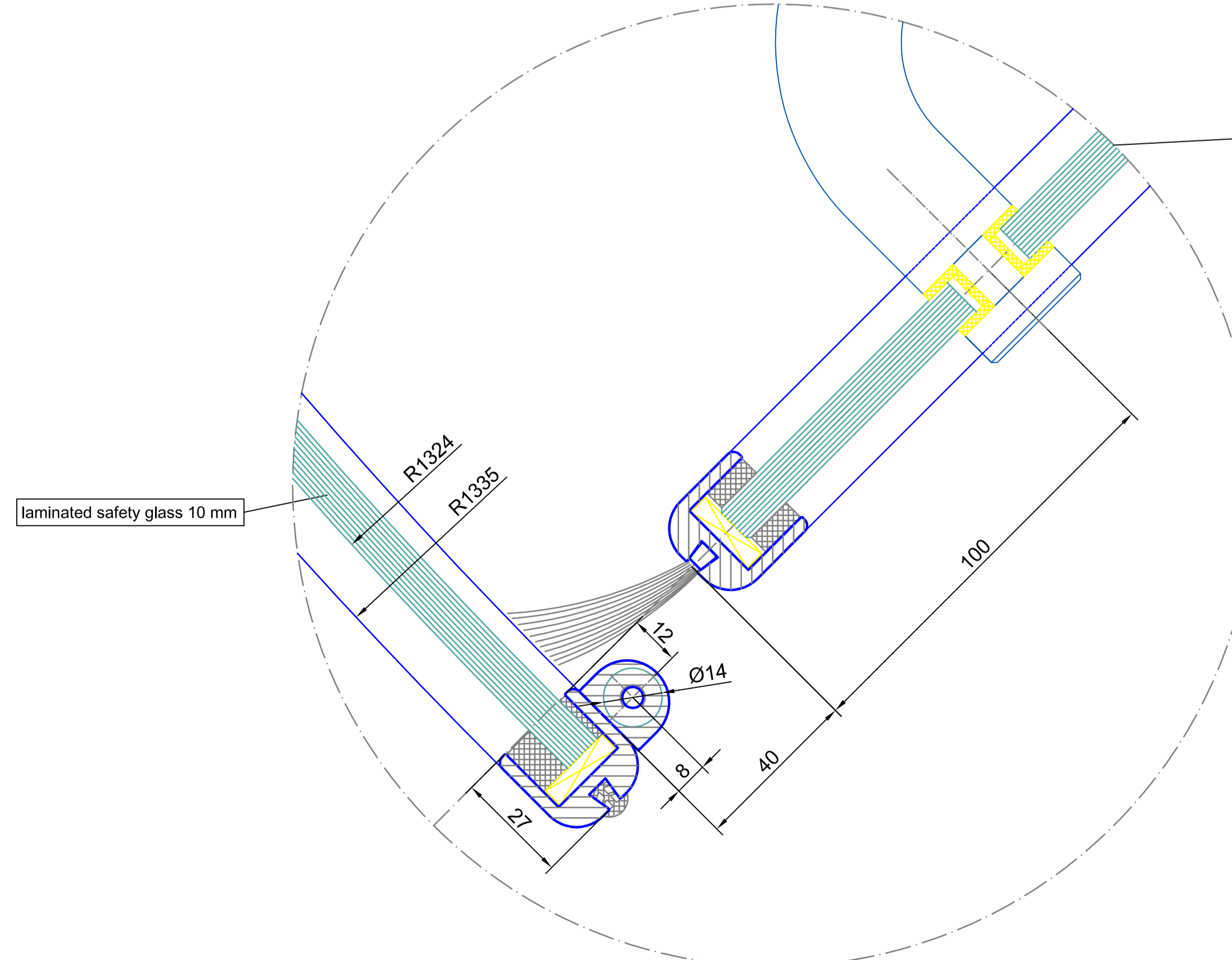
detail D

A0 - M 1:1



outside

plan view



detail C

A0 - M 1:1

Surface:	All visible screws 304 s/s (DIN 7991)	All green marked components must be executed by others!!!
Single glasses:	tempered safety glass 10 mm	laminated safety glass 10 mm
Double glasses:		
Info:	Modifications	Scale: A0 = M 1:10 Date: _____ Name: _____
<p>BLASI Automatic Doors Carl-Benz-Street 5-15 D - 77572 Malburg</p> <p>Tel. +497822 / 893 - 291 Fax. +497822 / 893 - 299 E-mail: info@blasi.info www. blasi . info</p>		<p>Project: K41-M-27 Vitro Type: SAMPLE DRAWING ONLY Drawing No.: _____ Page: 02 From: 02</p>