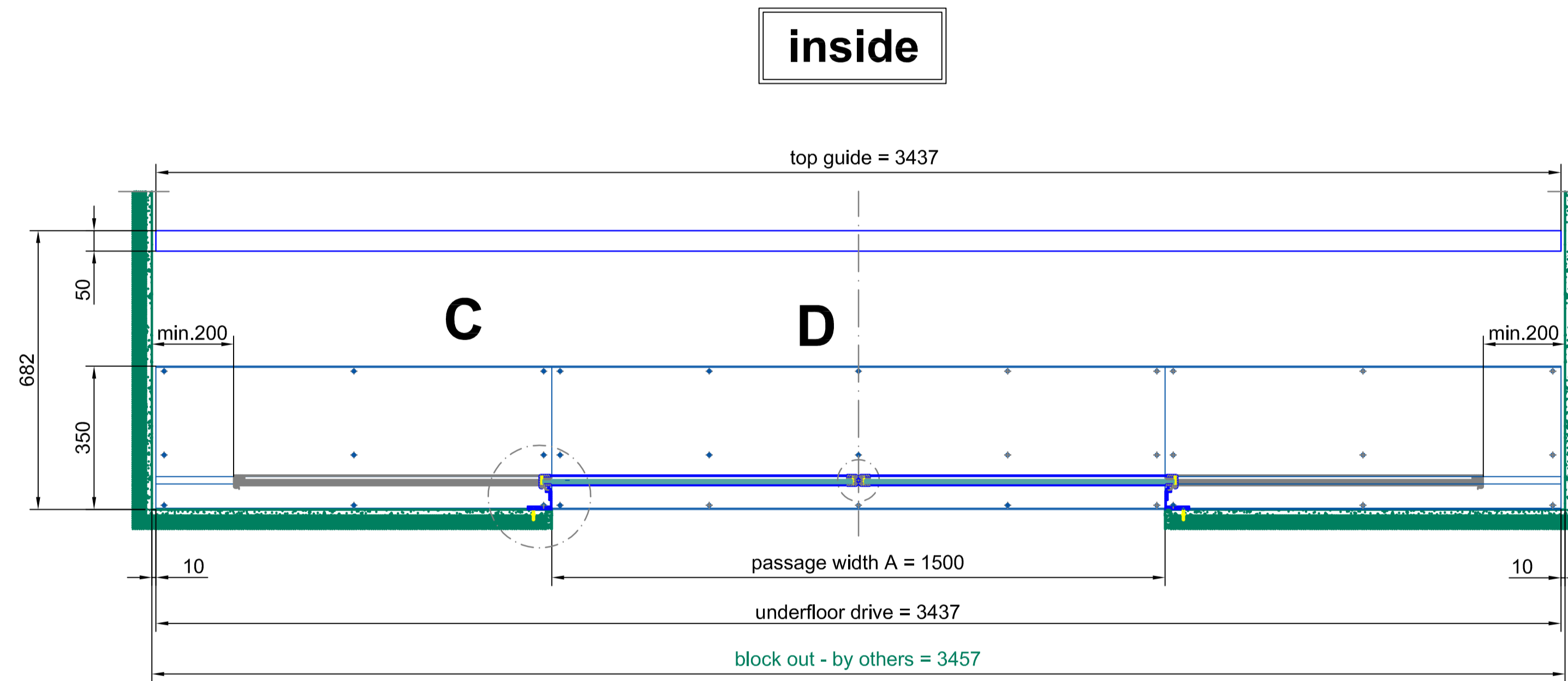
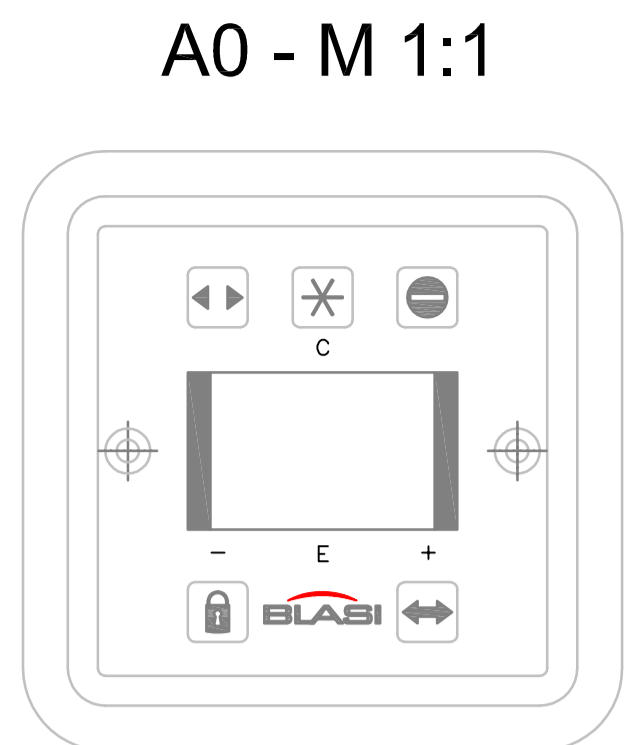
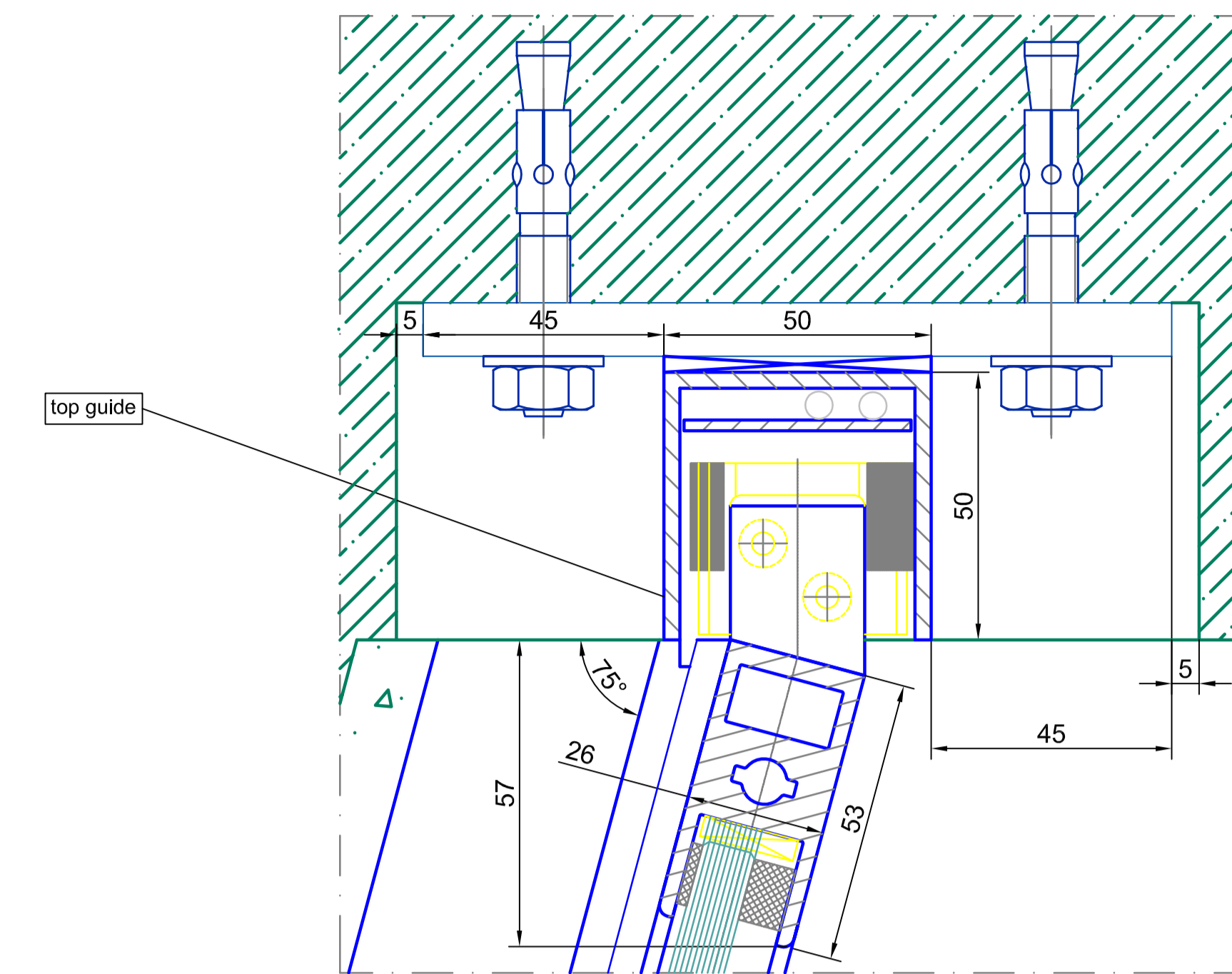


front elevation - outside

detail B

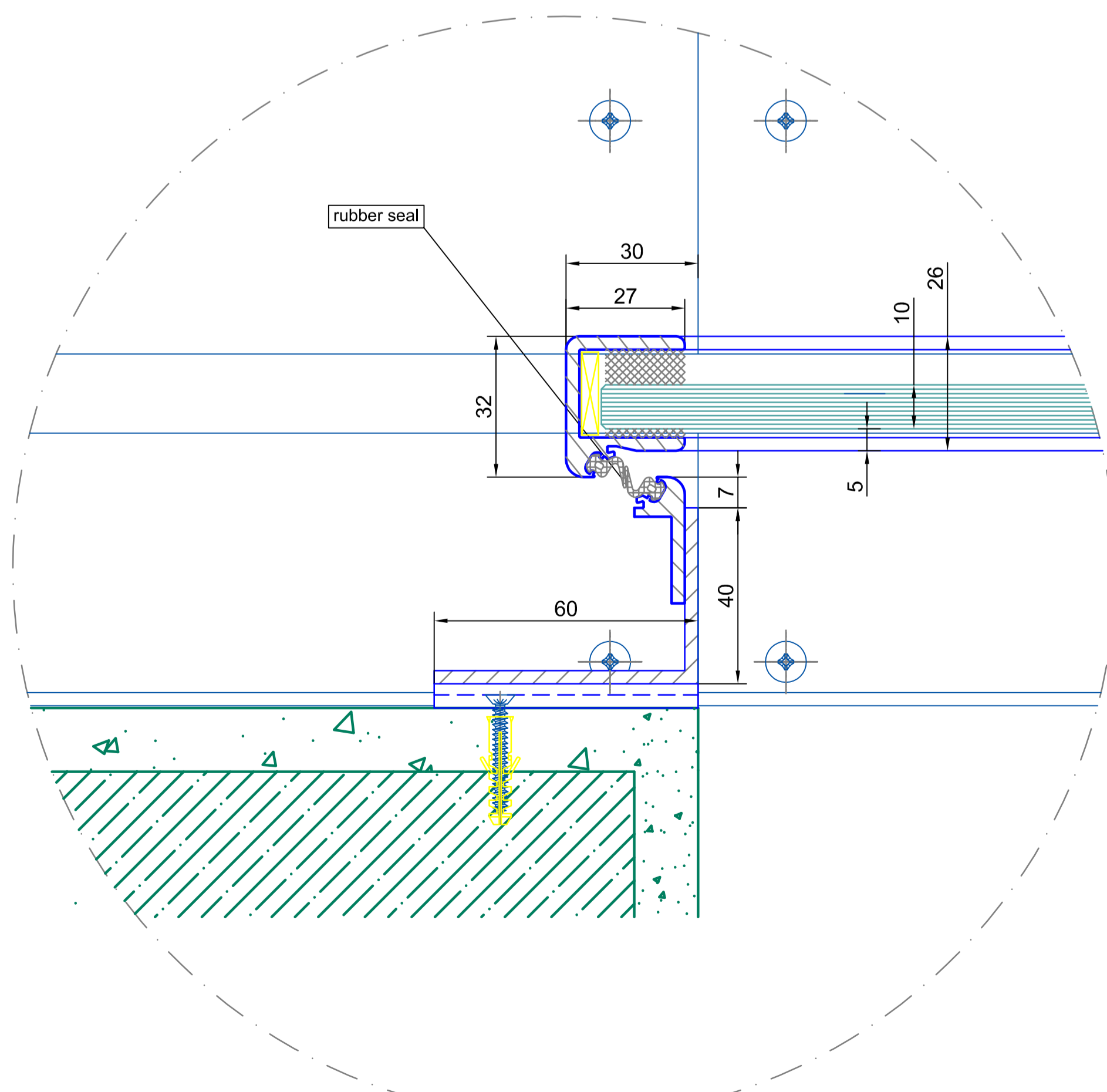
A0 - M 1:1



outside  
plan view

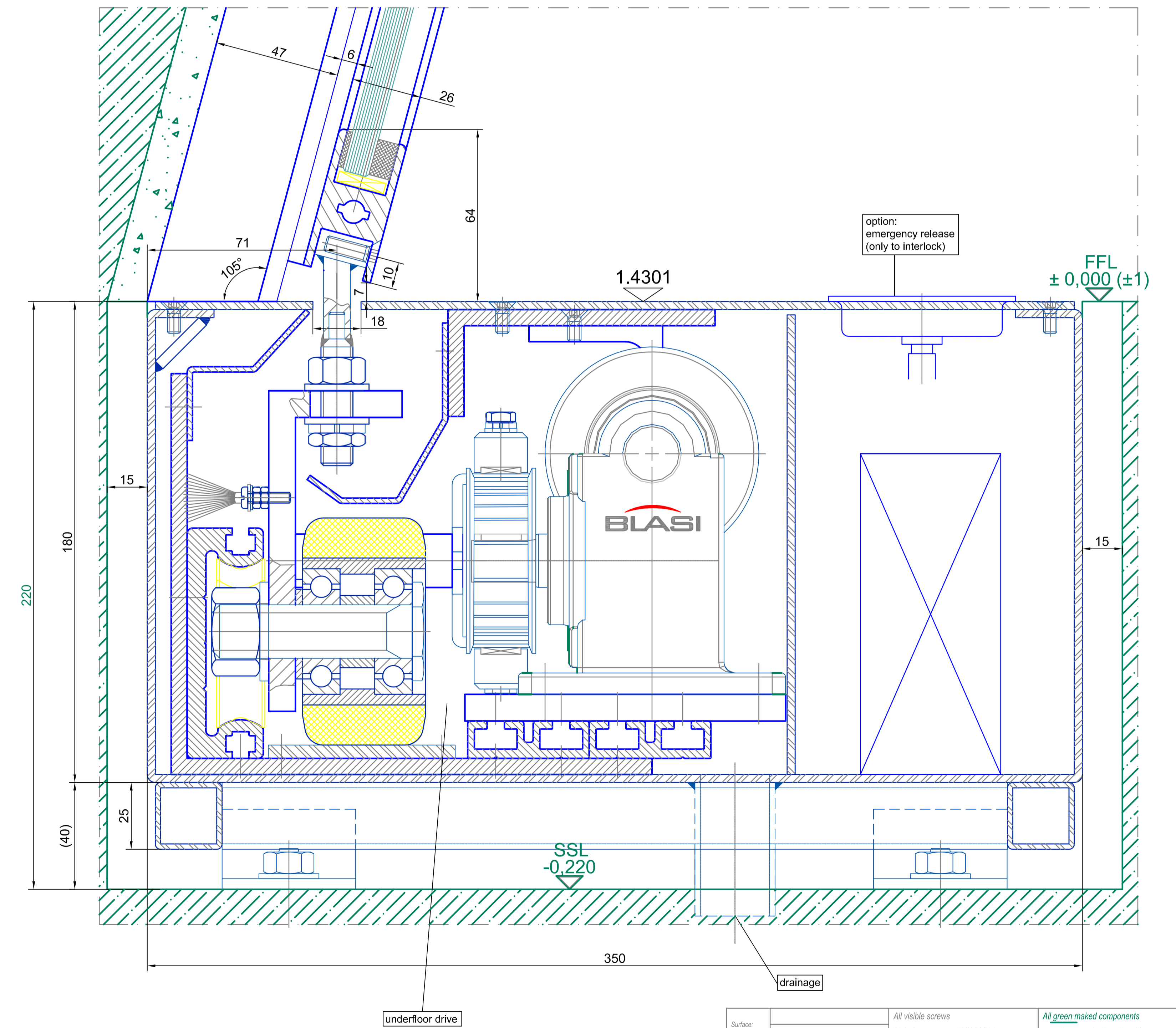
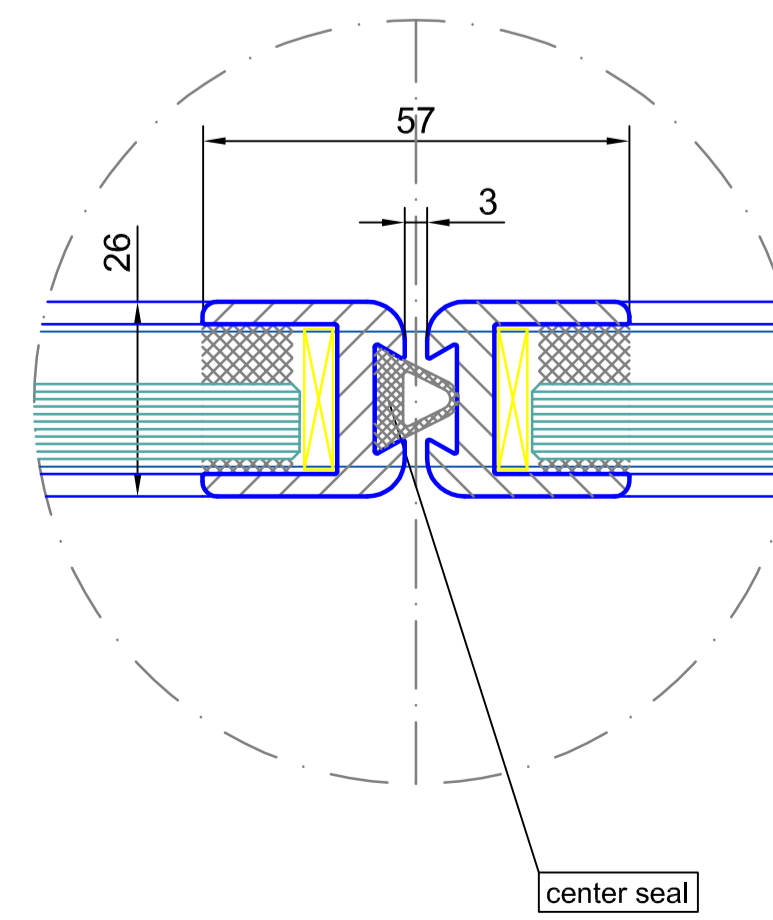
detail C

A0 - M 1:1



detail D

A0 - M 1:1



Surface:	All visible screws 304 s/s (DIN 7991)	All green marked components must be executed by others!!!
Single glazing:	tempered safety glass 10 mm	Corner glazing:
Index:	Modifications:	Scale: A0 = M 1:10
 B L A S I G m b H Automatic Doors Carl-Benz-Strasse 5-15 D - 77572 Mettlberg		Confirmation No.: Date: Name: Project: S16-SU-15_15° Contractor: Drawing No.: Page: 01 from: 01
Checked:	Approved:	This drawing is the title of the company Blasi. It is not allowed to be changed or to be modified to a third party. Technical modifications are under reserve.