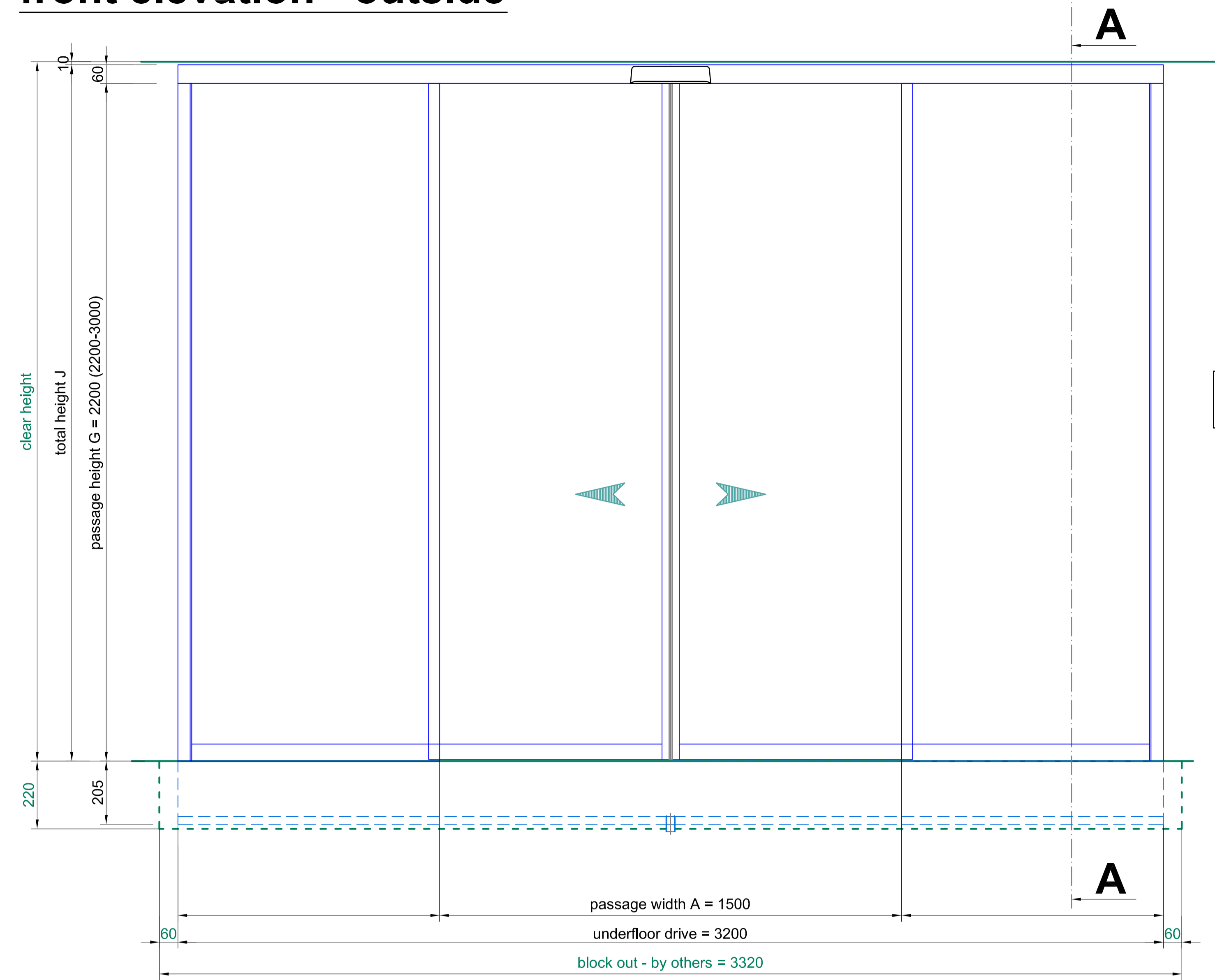
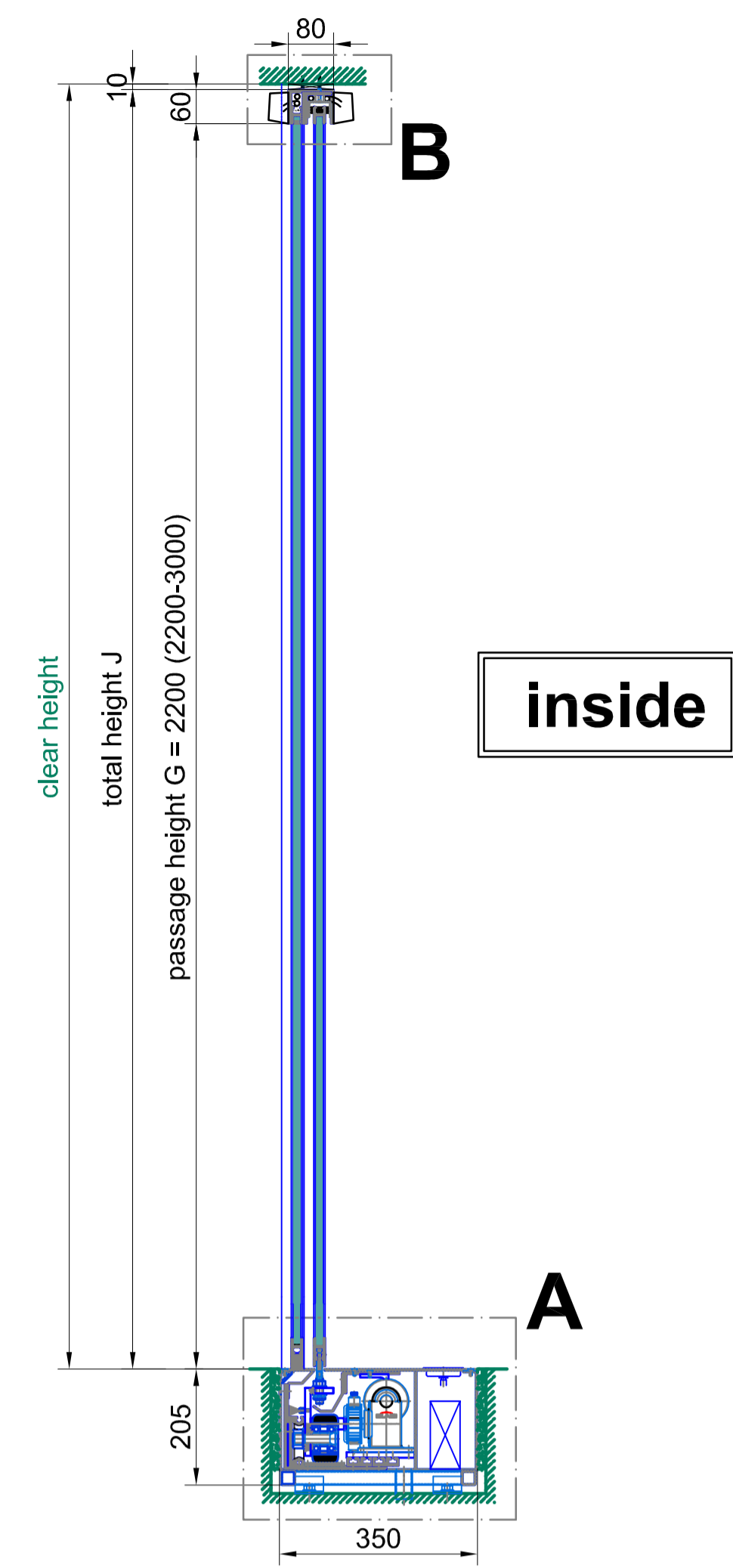


front elevation - outside

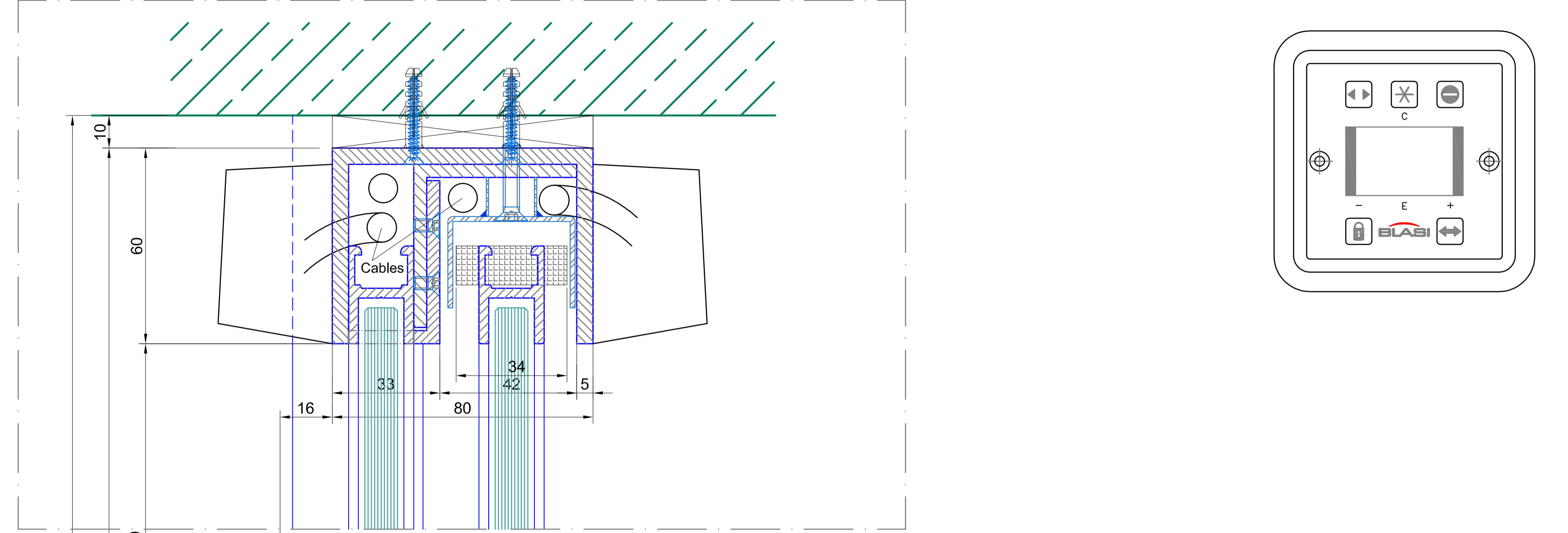


A-A



detail B

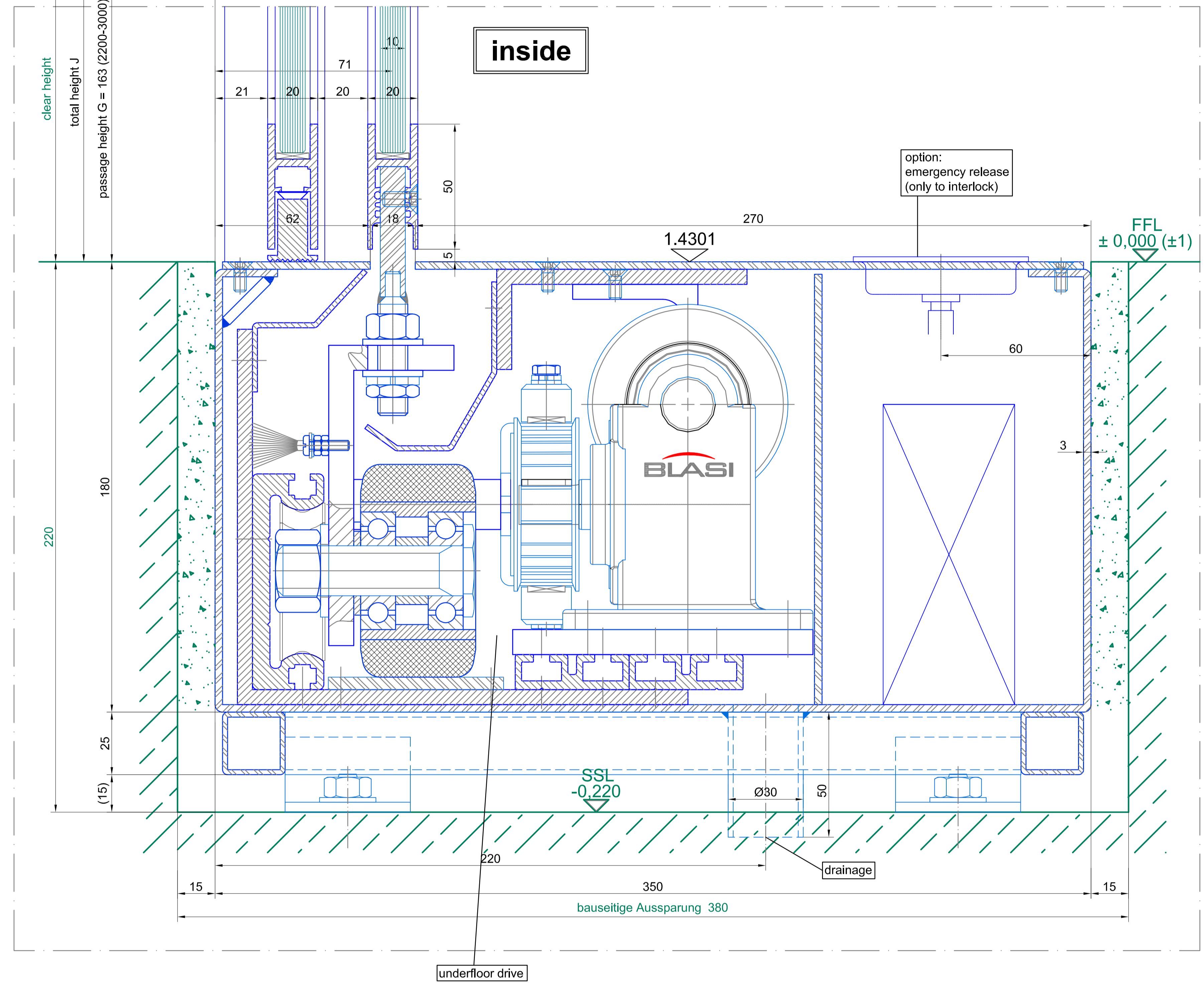
A0 - M 1:1



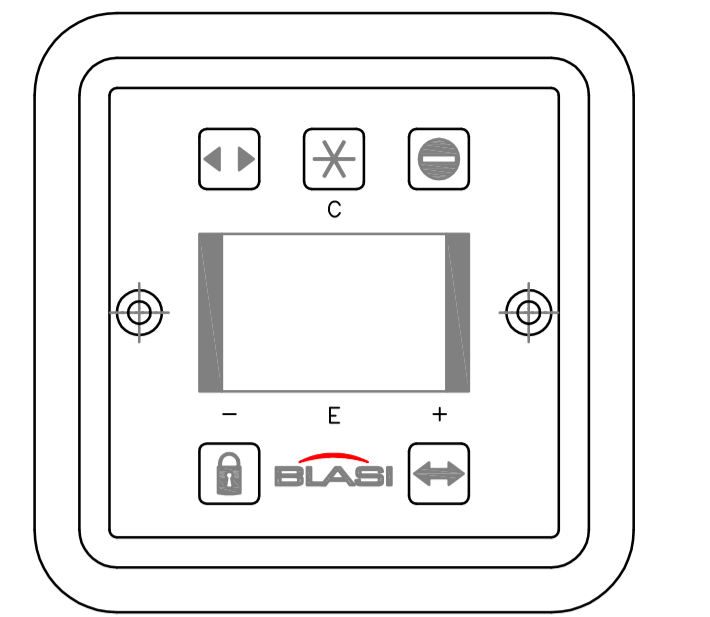
outside

detail A

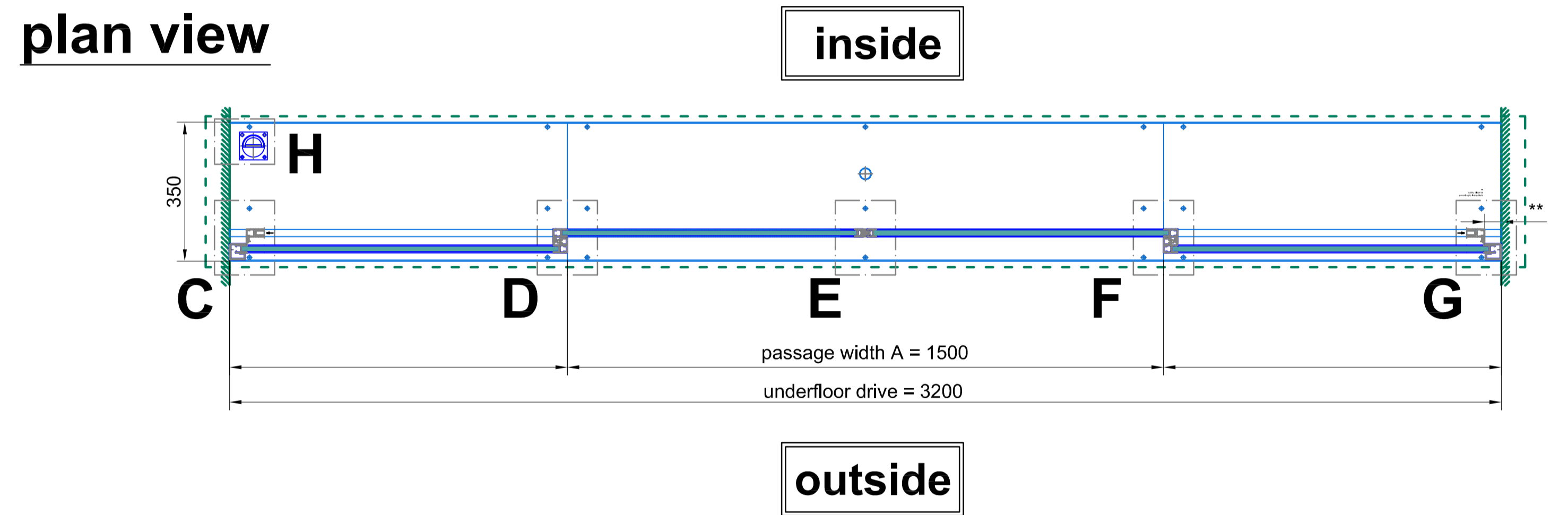
A0 - M 1:1



A0 - M 1:1

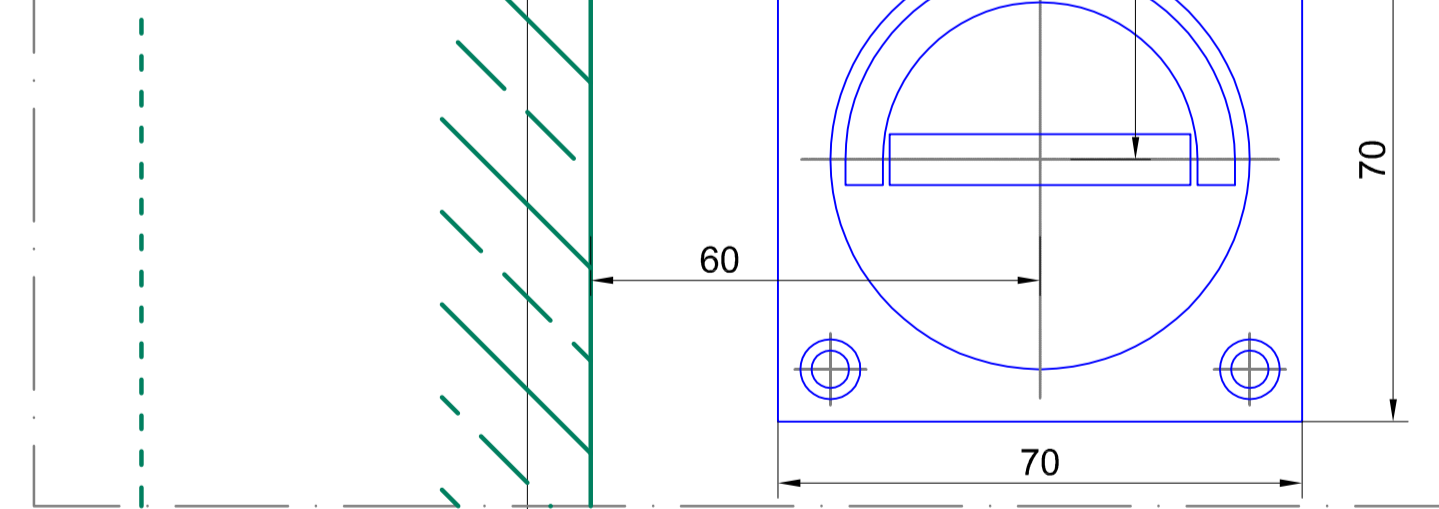


plan view



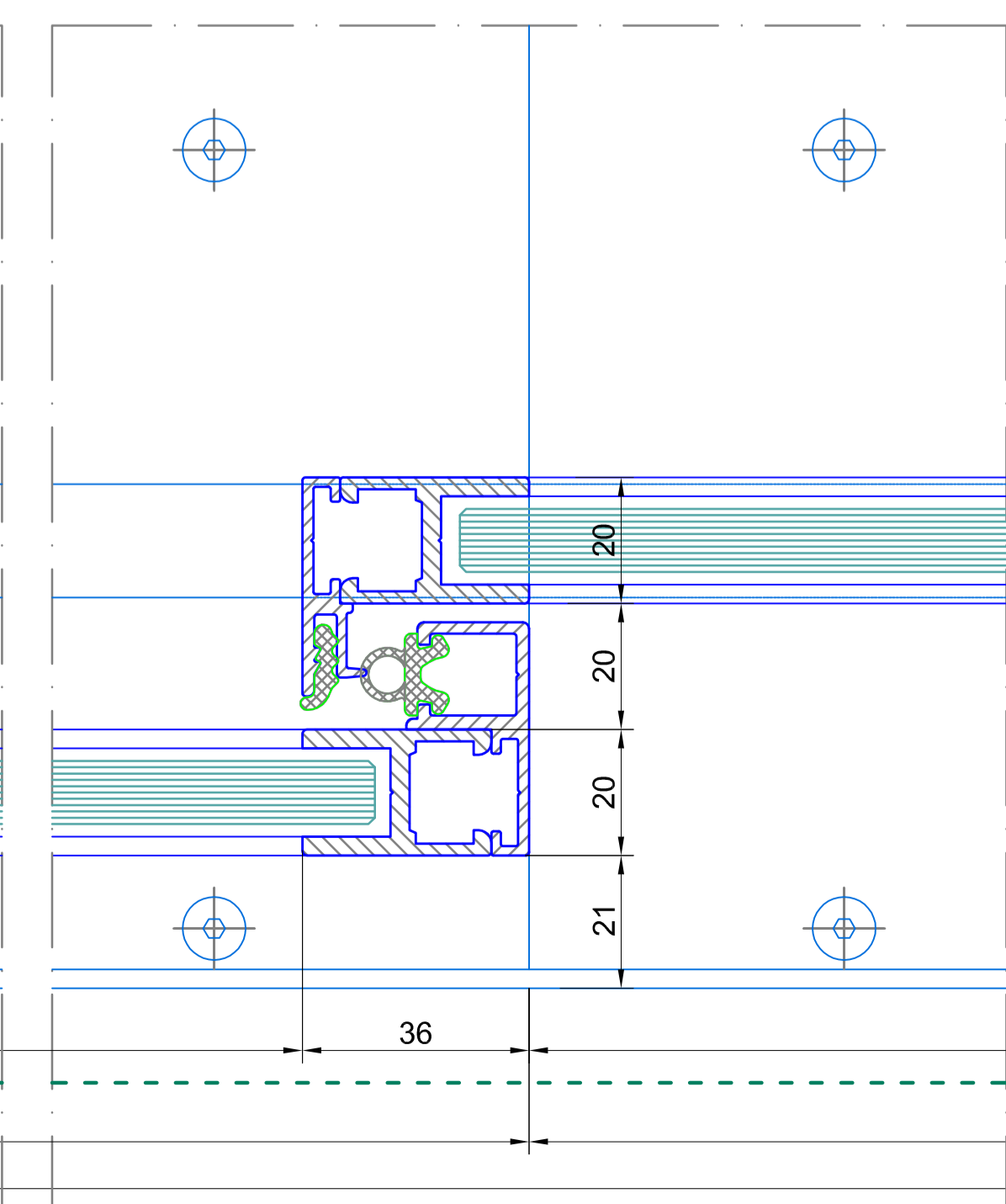
detail H

A0 - M 1:1



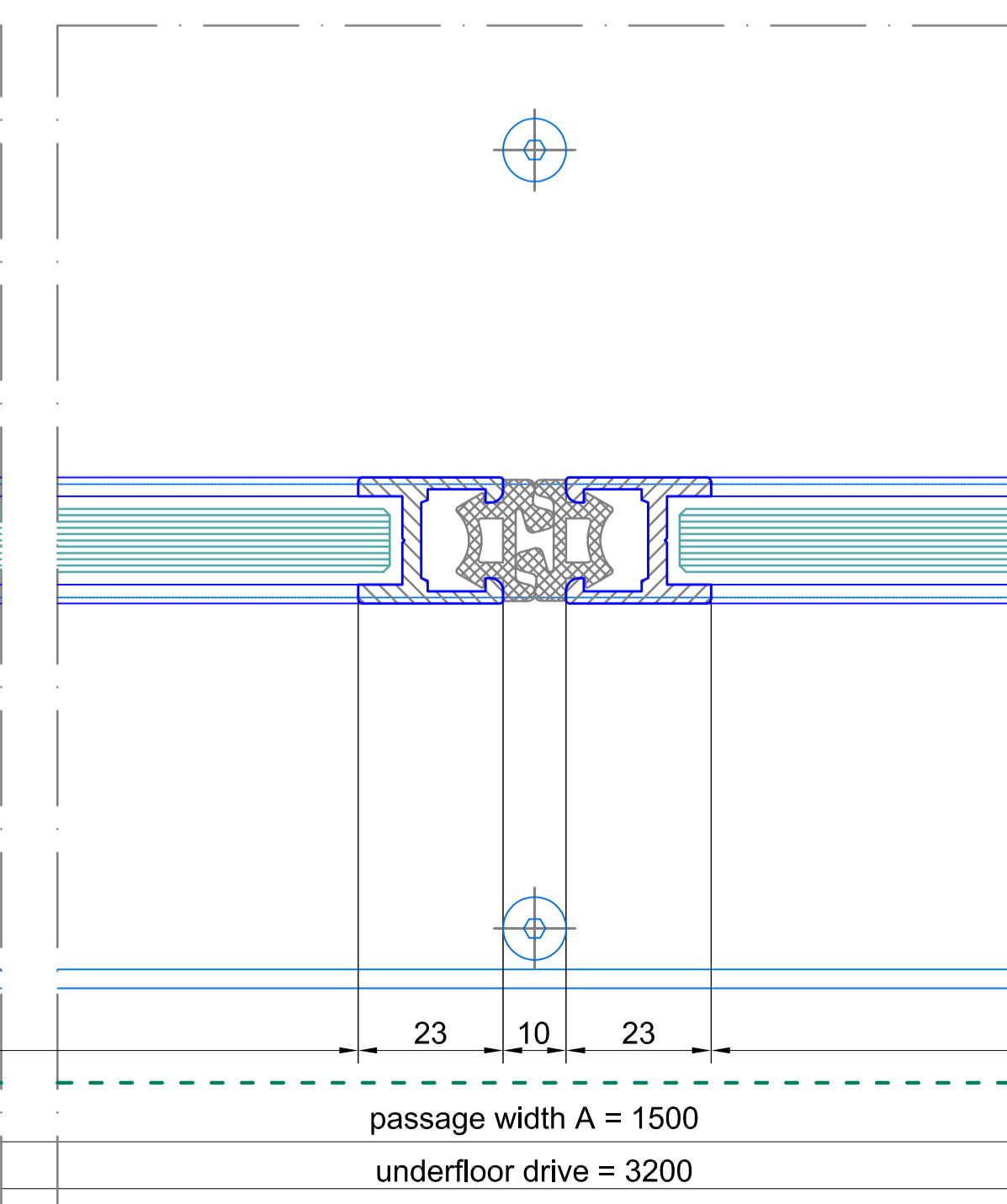
detail D

A0 - M 1:1



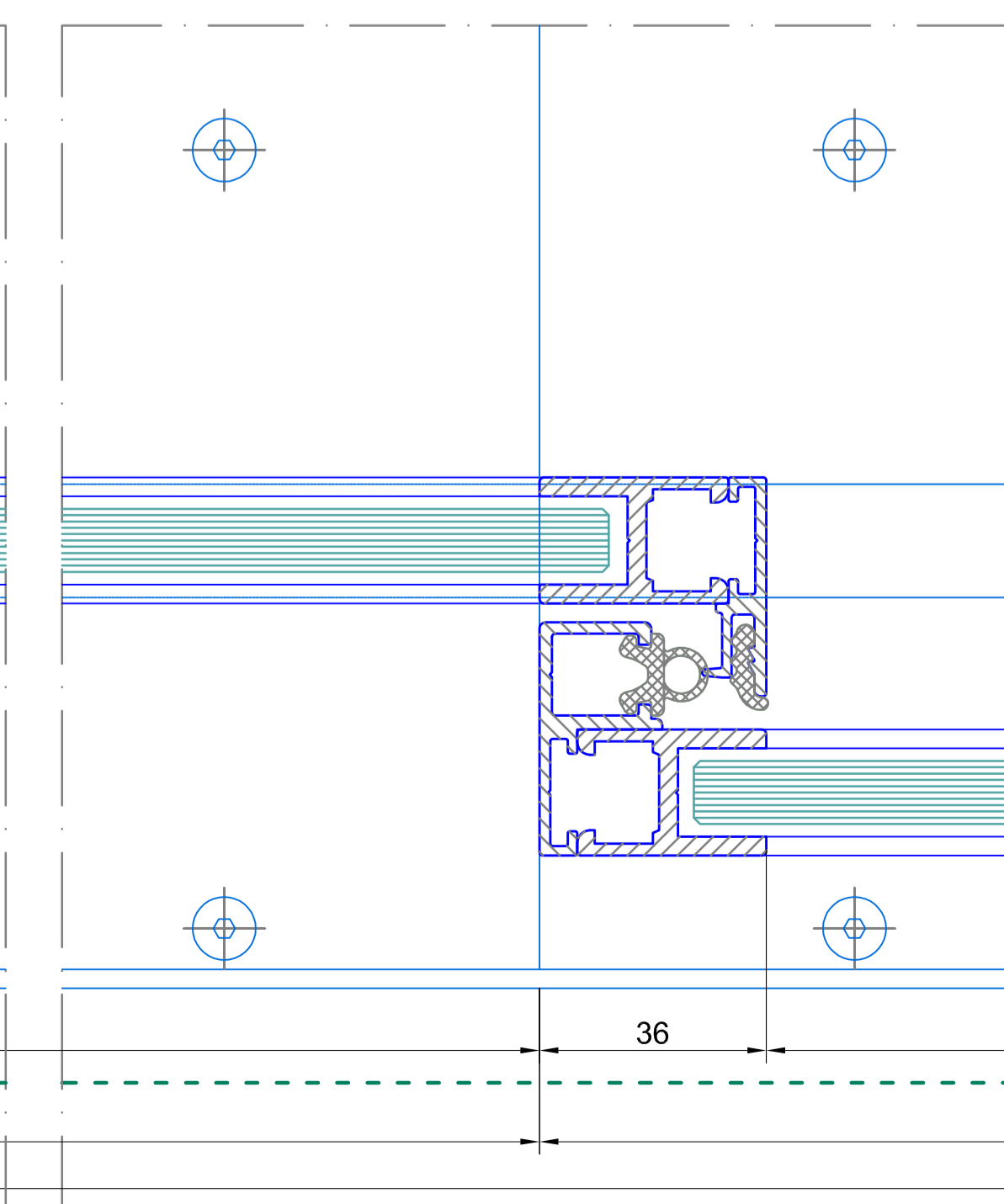
detail E

A0 - M 1:1



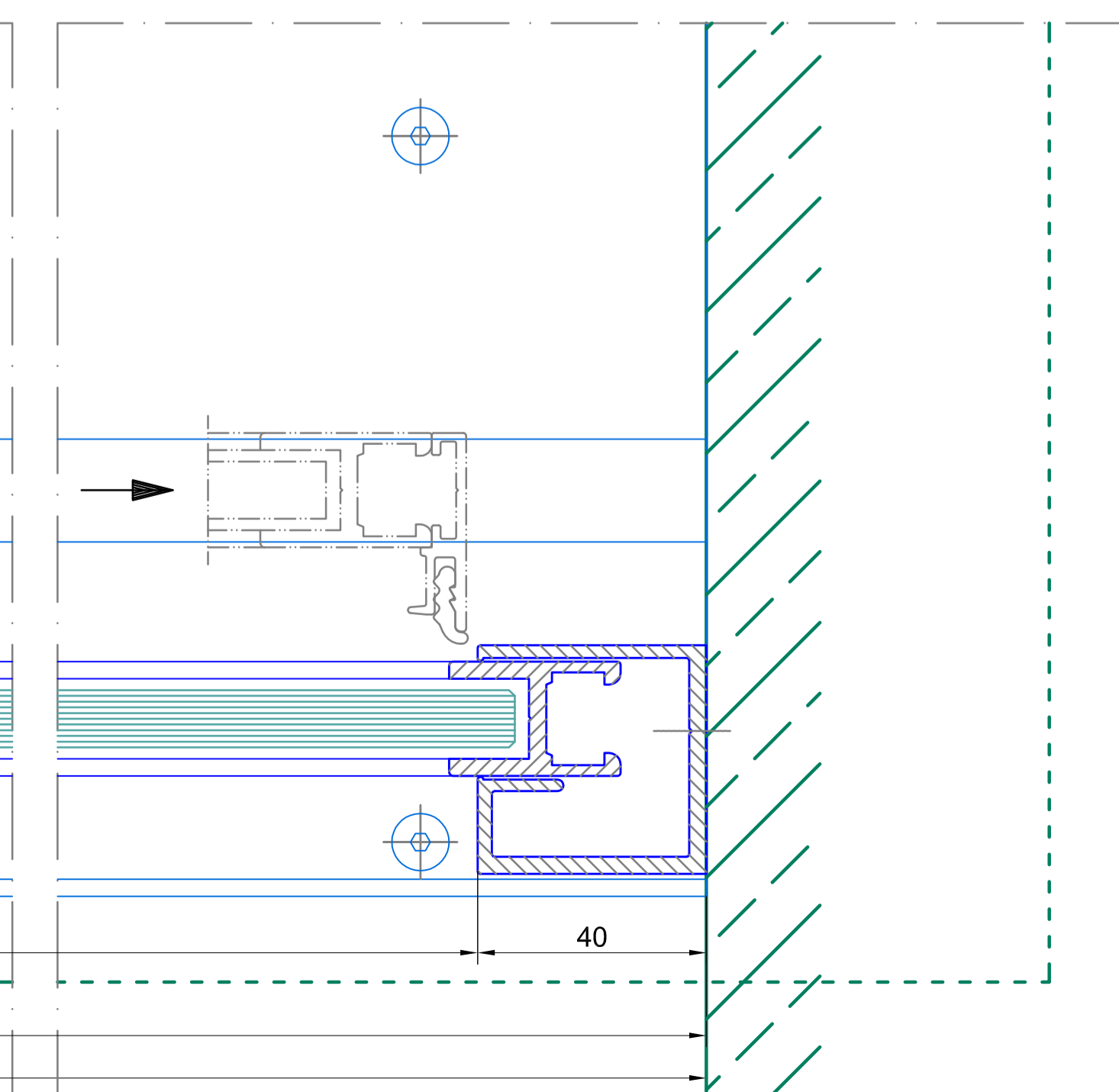
detail F

A0 - M 1:1



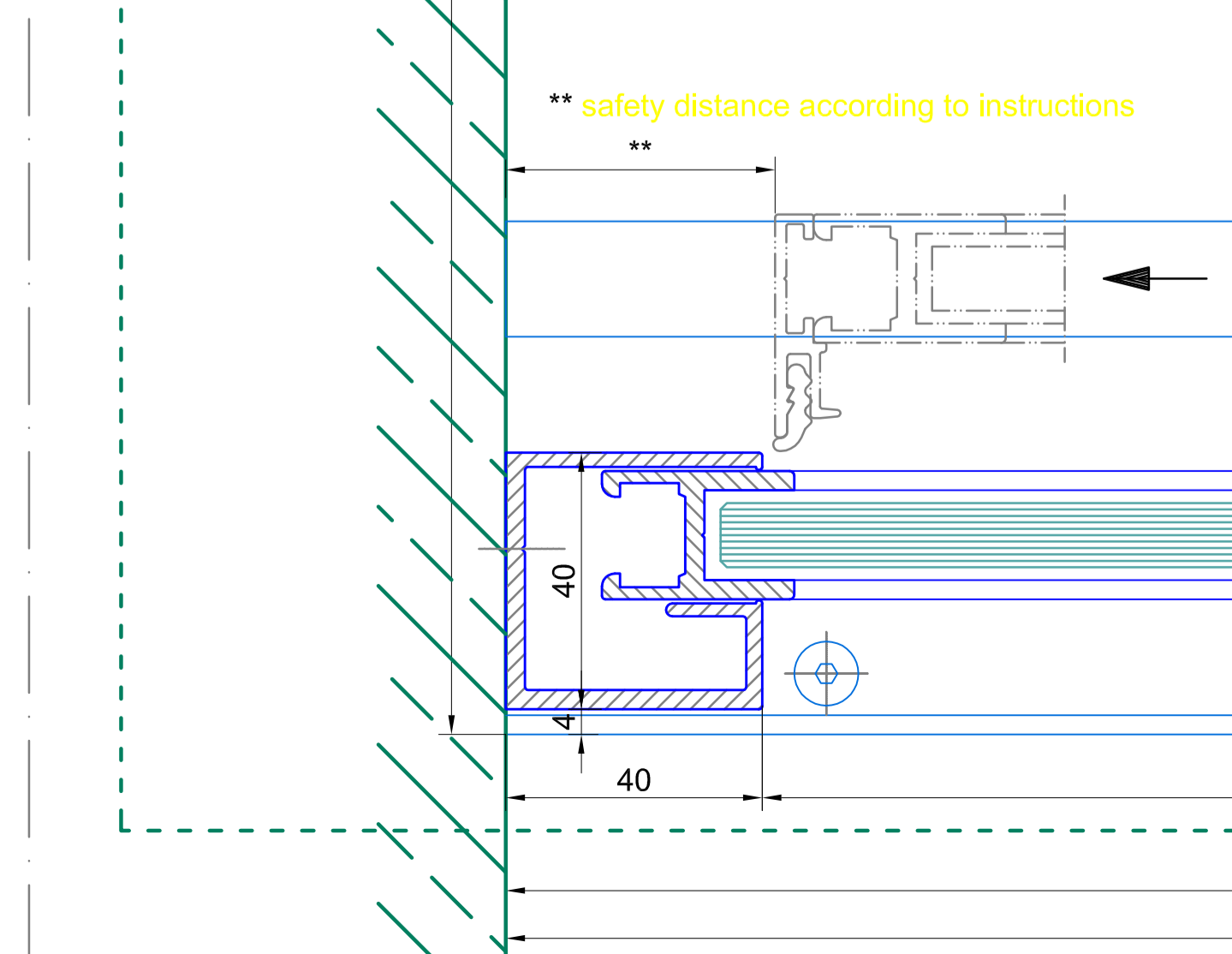
detail G

A0 - M 1:1



detail C

A0 - M 1:1



Surface:	All visible screws 304 s/s (DIN 7591)	All green marked components must be executed by others!!!
Shaft glass:	tempered safety glass 10 mm	Corner pieces:
Info:	Modifications:	Scale: A0 = M 1:10
		Confirmation No.:
B L A S I G m b H Automatic Doors Carl-Benz-Street 5-15 D - 77572 Mettlberg		Project: S16-SU-15
Tel. +497822 / 893 - 291 Fax. +497822 / 893 - 299 E-mail: info@blasi.info www.blasi.info		Date: Page: 01