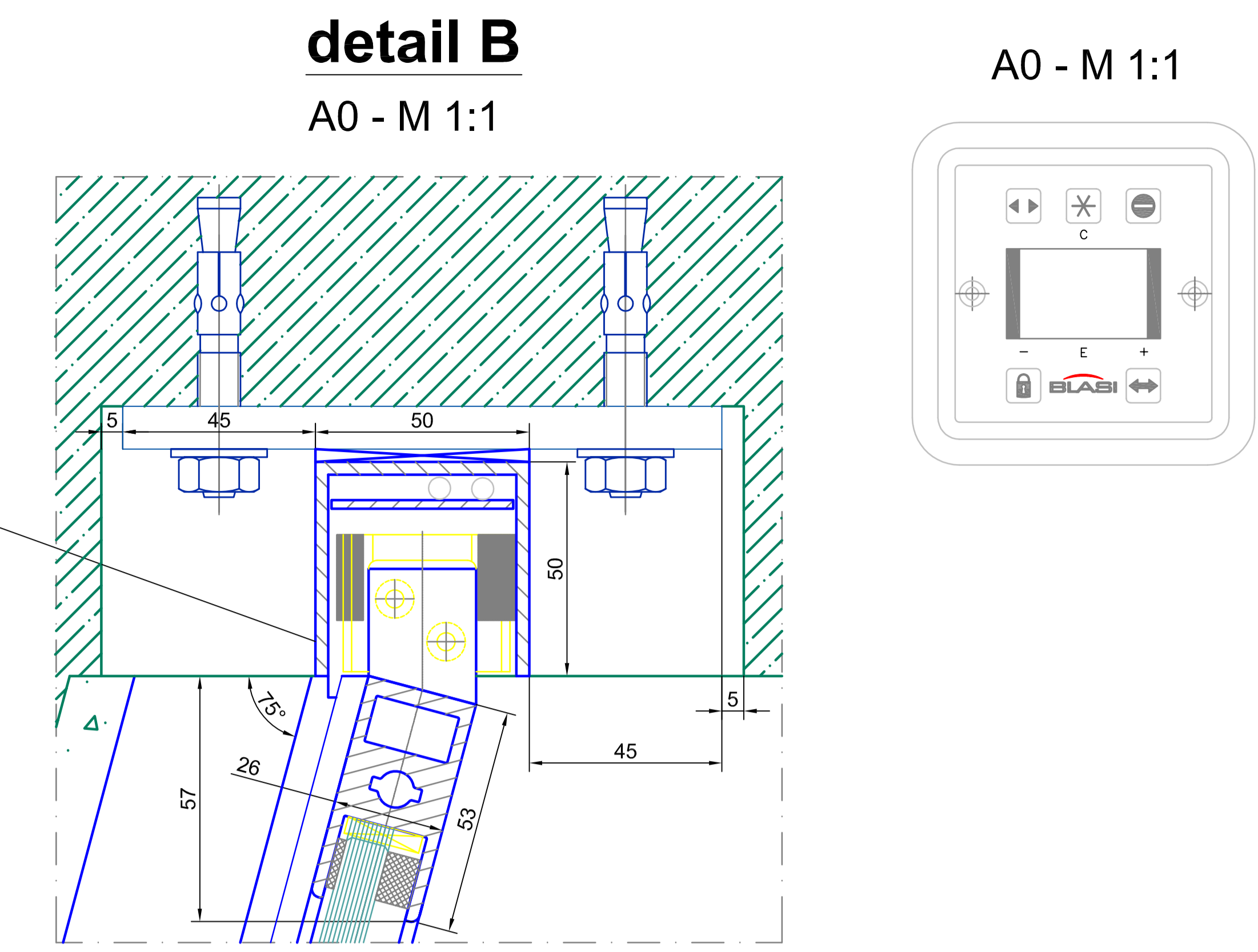
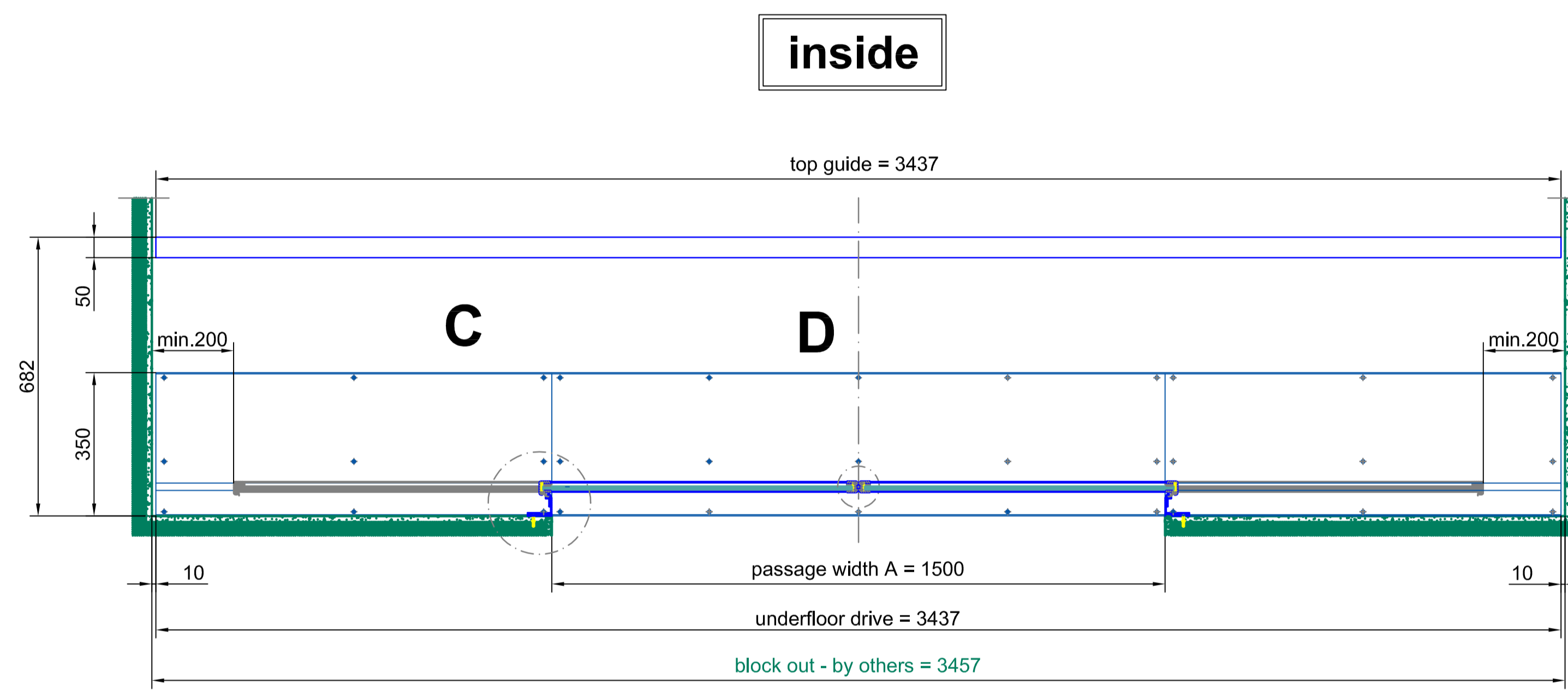
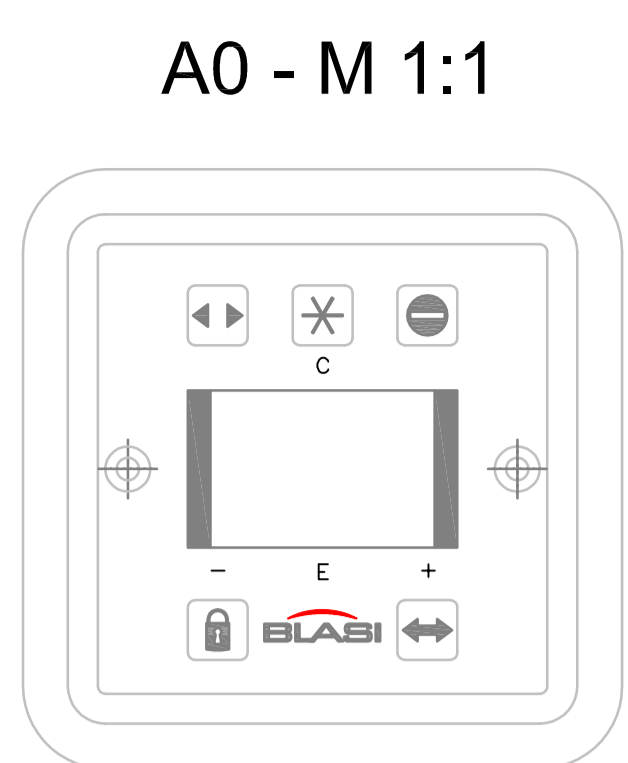


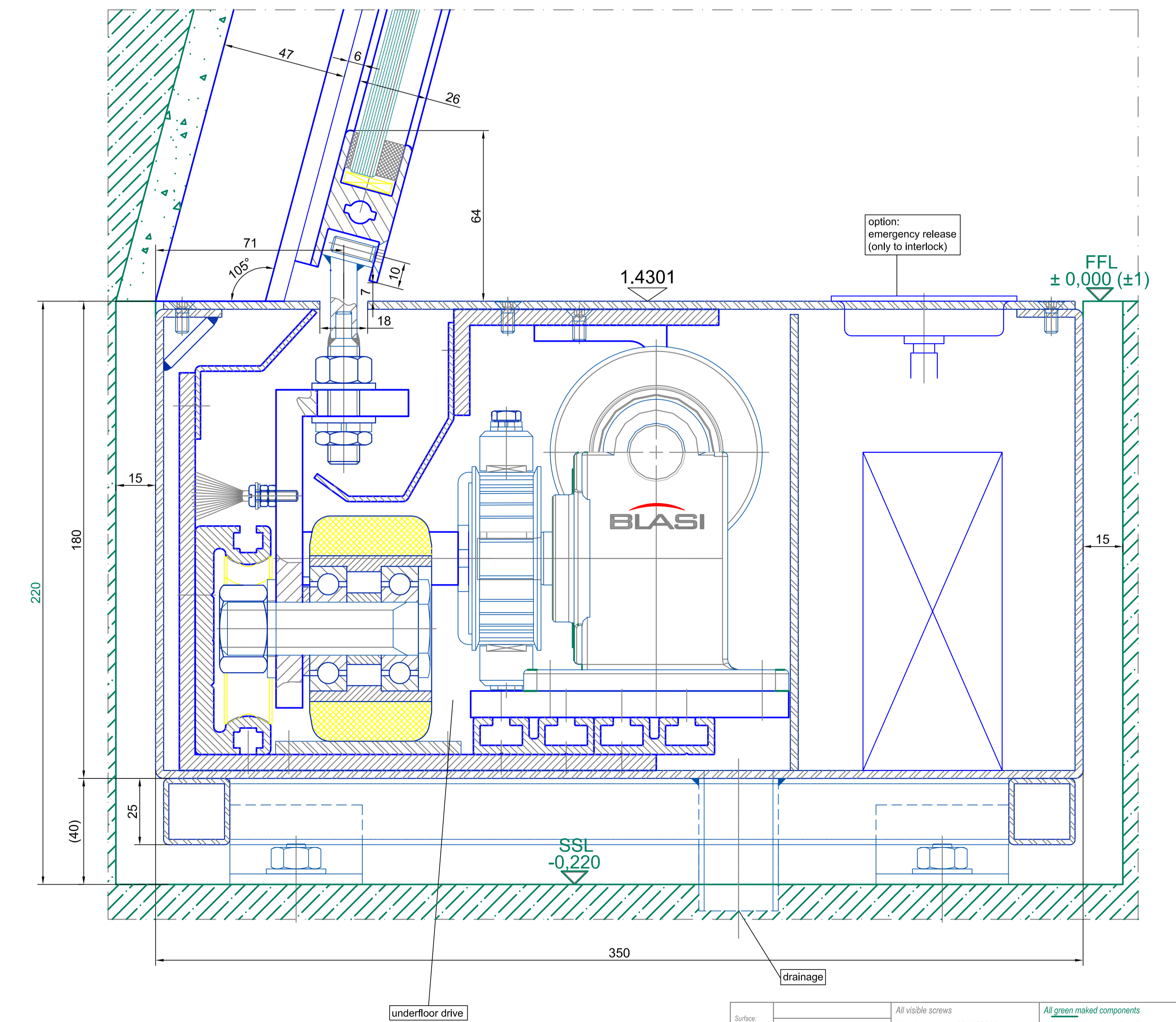
front elevation - outside



detail B
A0 - M 1:1

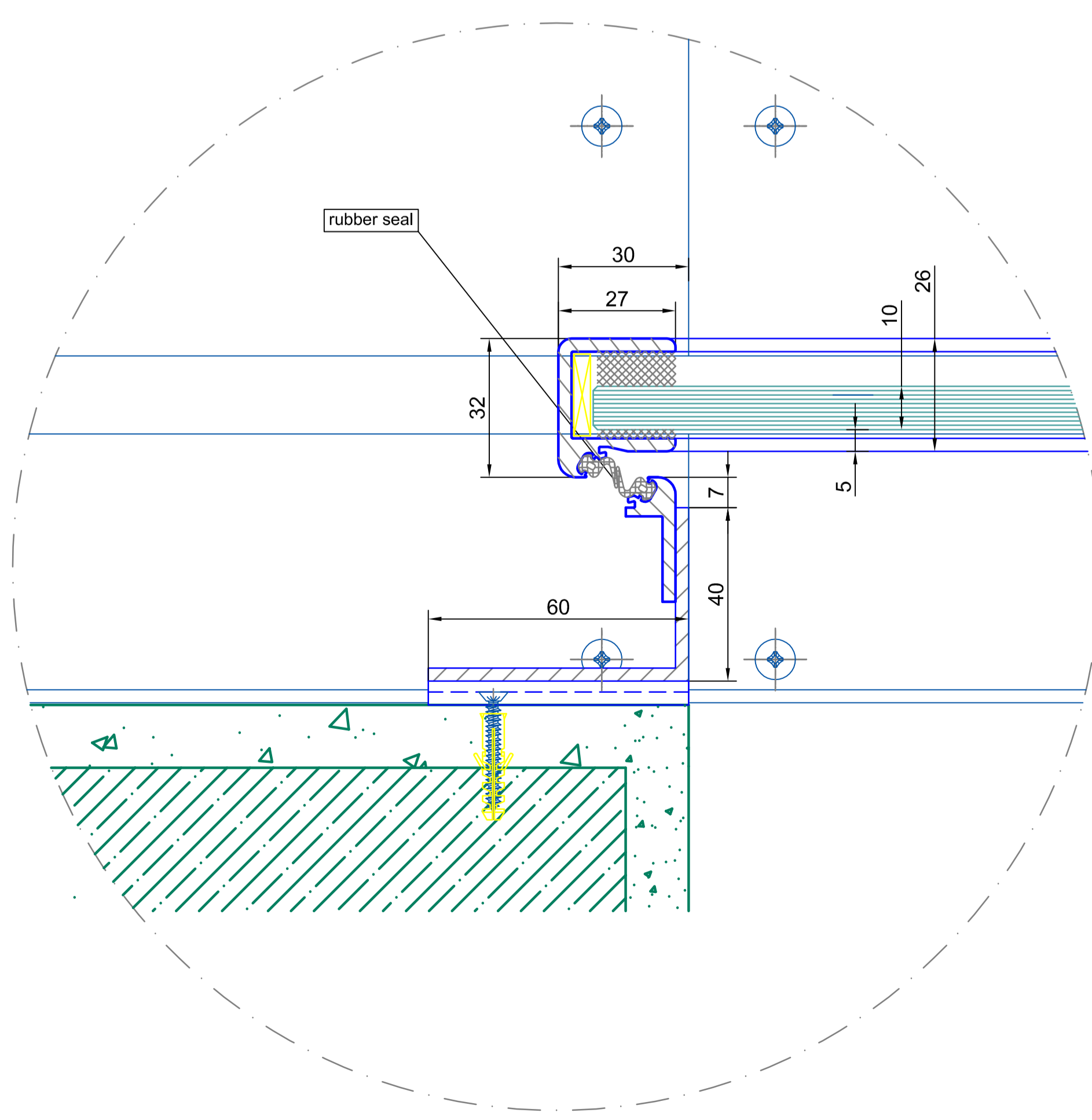


plan view

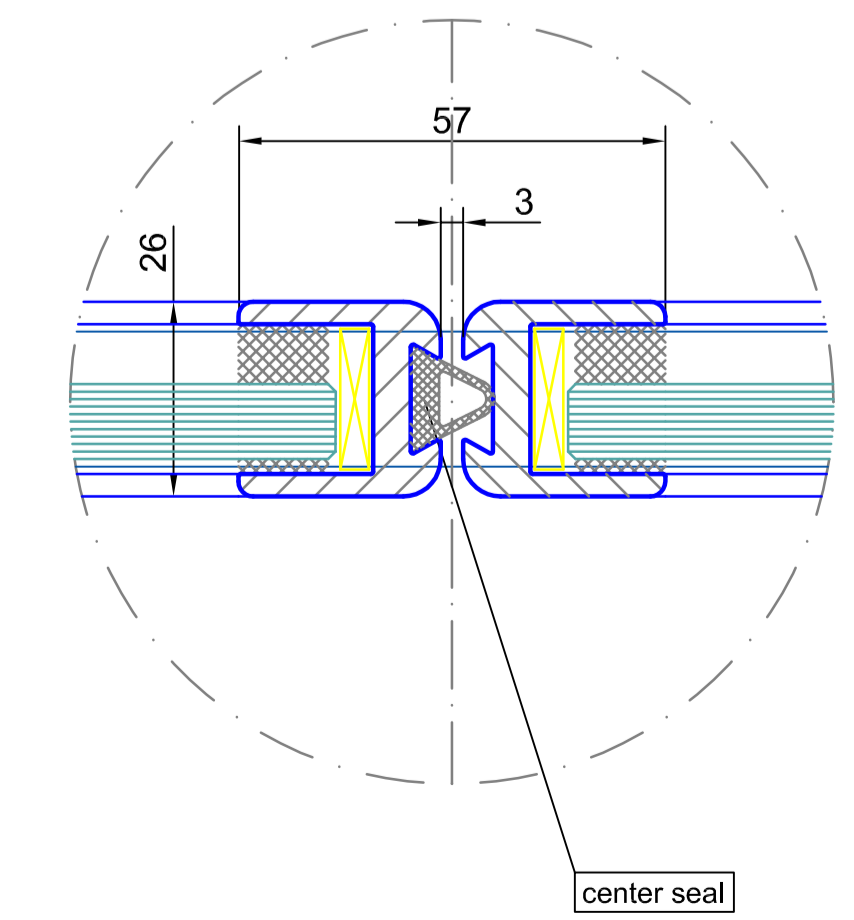


detail A
A0 - M 1:1

detail C
A0 - M 1:1



detail D
A0 - M 1:1



Surface:	All visible screws 304 s/s (DIN 7991)	All green marked components must be executed by others!!!					
Door glass:	tempered safety glass 10 mm	Corner pieces:					
Index:	Modifications:	Scale:	A0 = M 1:10	Confirmation No.:	Date:	Version:	
		Project:	S16-SU-15_15°				
B L A S I G m b H Automatic Doors Carl-Benz-Strasse 5-15 D - 77572 Mettlberg		Tel.:	+497822 / 893 - 291	Fax.:	+497822 / 893 - 299	E-mail:	info@blasi.info
www.blasi.info		Contractor:					
Checked:	Approved:	Drawing No.:	Page:		01		
<small>This drawing is the title of the company Blasi. It is not allowed to be changed or to be modified to a third party. Technical modifications are under reserve.</small>		<small>01</small>		<small>01</small>			